



PCORE
ELECTRIC

KV CLASS 34.5 kV | BIL 200 kV | Uy 22 kV

CURRENT RATING

400A DRAW LEAD CONNECTION
1200A BOTTOM CONNECTION

DWG. | CATALOG NUMBER | GLAZE COLOR

SD B-89393-176 | BROWN

SD B-89393-176-70 | LT. GRAY

DATE 5-7-99 | REV. DATE 12-5-18

MAXIMUM ALTITUDE 10000 ft [3000 m]

NET WEIGHT 70 lb [32 kg]

ANGLE OF INCLINATION FROM THE VERTICAL 0° TO 70°

MIN. CREEP 41.00 [1041.4] | MIN. STRIKE 17.50 [444.5]

CREEP/L-G 2.06 [52.3] | STD. IEEE C57.19.00/01

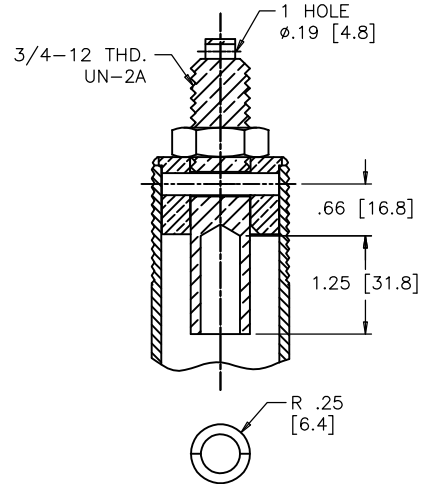
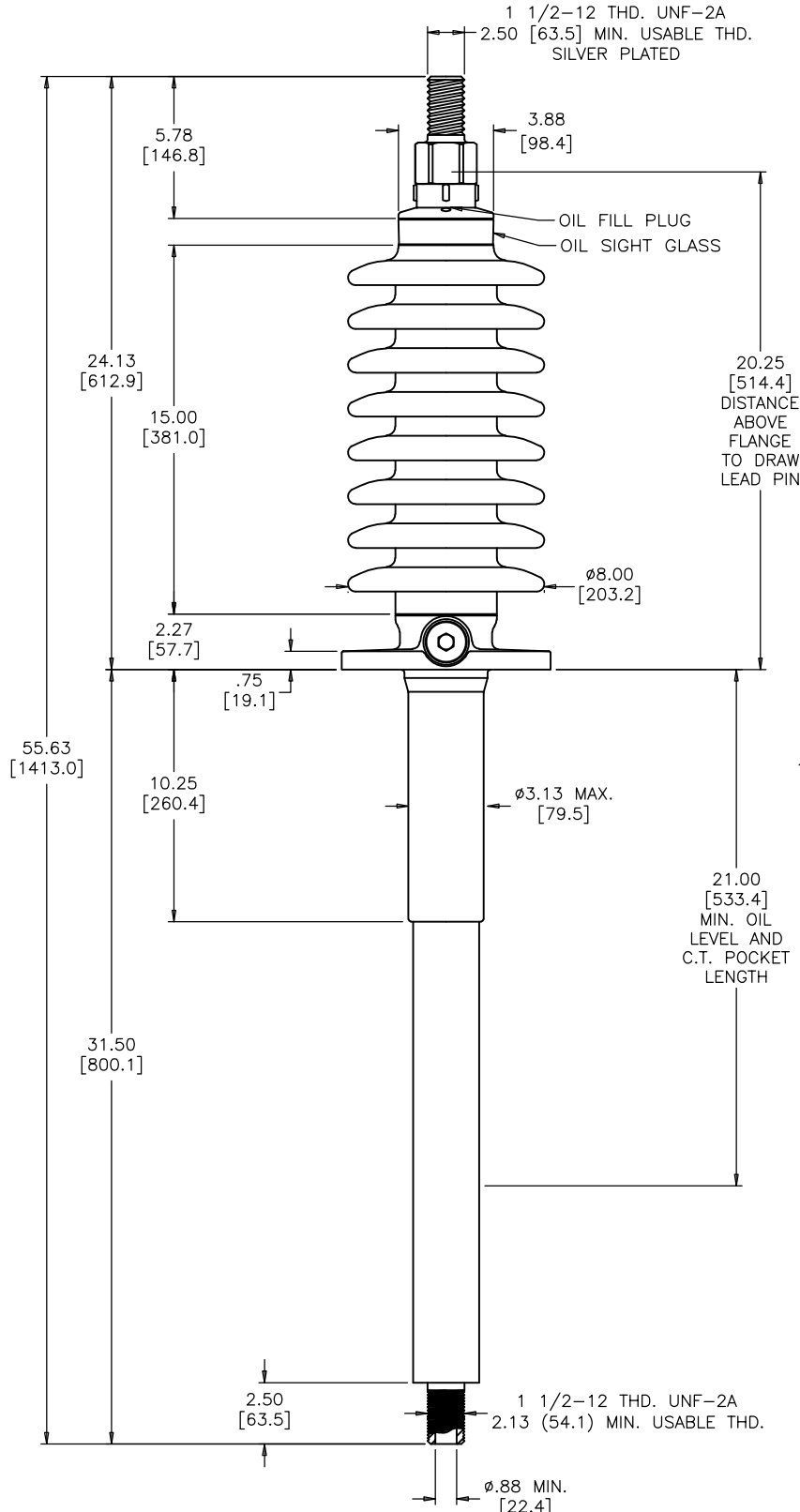
PCB CONTENT OF OIL IS LESS THAN 1 ppm

TITLE IEEE STANDARD BUSHING

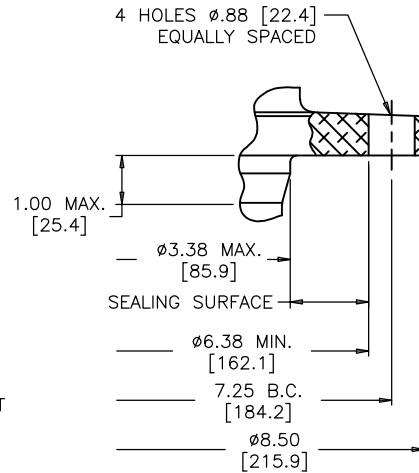
PRC BUSHING

FLUOROCARBON O-RINGS
& SILICONE GASKETS
CURVED DRAW LEAD TERMINAL
STAINLESS STEEL TEST TAP COVER

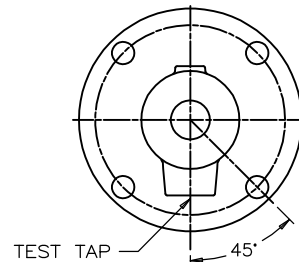
NOTE: ACTUAL DRAW-LEAD CURRENT RATING IS DETERMINED BY CABLE SIZE



CURVED DRAW LEAD ASSEMBLY



MOUNTING FLANGE DETAIL



FLANGE ALIGNMENT DIAGRAM TOP VIEW

DIMENSIONS IN INCHES [MILLIMETERS]

REVISION UPDATED FORMAT, ADDED DRAW LEAD NOTE, CORRECTED ROUNDING, CREEP/L-G WAS CREEP/Uy

SCALE 1/1

NOTE TO PURCHASER:
ALL SALES OF PCORE PRODUCTS ARE SUBJECT TO OUR STANDARD TERMS AND CONDITIONS AND THE LIMITED WARRANTIES THEREUNDER